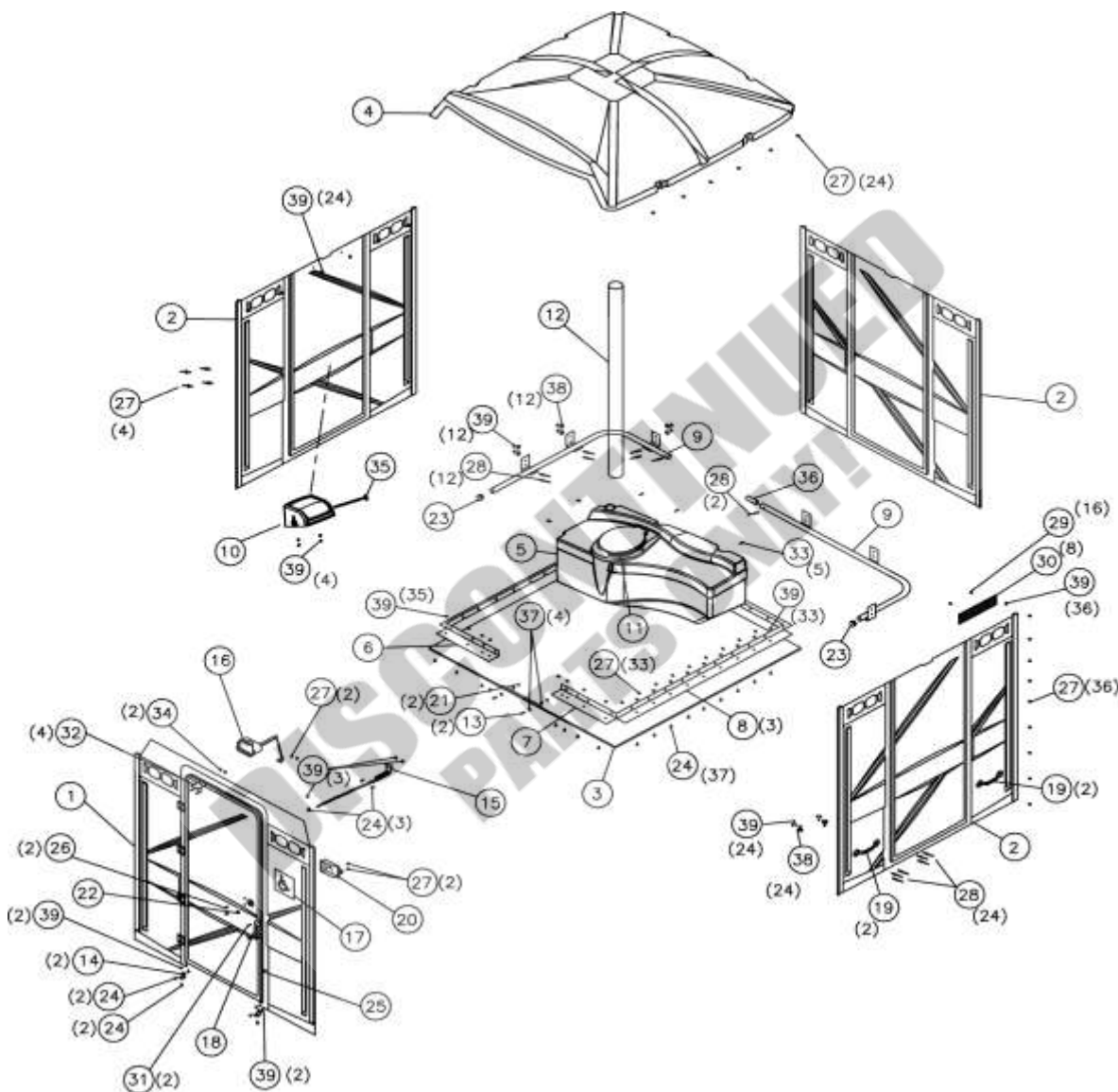


FREEDOM 2® MAJOR ASSEMBLY

Discontinued



FREEDOM 2® COLOR CHART

	GREY	ROYAL BLUE	TEAL	SAND	FOREST GREEN
PANEL PART#	21130	15120	14535	15524	15831

Visa / Mastercard / American Express / Discover
 \$25.00 Minimum Order — Prices and quantities subject to change / all prices are FOB FACTORY — Priced in U.S. Dollars
 20% minimum restocking charge applies on returns

FREEDOM 2® MAJOR ASSEMBLY

Discontinued

REV U ITEM #	PART#	QTY PER UNIT	DESCRIPTION	PRICE EACH
1	SEE CHART	1	FRONT ASSEMBLY- FREEDOM2	NOT SALEABLE
2	SEE CHART	3	PANEL- FREEDOM 2 ROUTED	
3	14556	1	FLOOR- FREEDOM2 DRILLED	
4	14510	1	ROOF- FREEDOM2	
5	16538	1	TANK- FRE/LIB LARGE GREY	
6	15406	1	ANGLE- PLSTC FRONT LEFT FREEDM	
7	15407	1	ANGLE- PLSTC FRONT RGHT FREEDM	
8	15408	3	ANGLE- PLSTC SIDE FREEDOM FLOOR	
9	15590	2	HANDRAIL- FREEDOM2 L/R	NOT SALEABLE
10	17082	1	HOOD- PAPERGUARD II GREY	
	16928	1	KIT- PAPERGRD 2 ROLL PUSH CAP	
	16845	1	KIT- PAPERGRD 2 ROLL POP RIVET	
	19116	1	KIT- PAPERGRD 3 ROLL PUSH CAP	
	19114	1	KIT- PAPERGRD 3 ROLL POP RVT	
	19408	1	KIT- PAPERGRD 4 ROLL VERTICAL	
11	10570	1	SEAT- TOILET BLACK (INCLUDES HARDWARE - 10 PER CASE)	
	19196	1	KIT- T/SEAT 2-1/2 BOLT/NUT SET	
12	13796	1	VENT PIPE- 3 X 65-1/2 BLACK	
13*	10105	2	BOLT- ¼-20 X 1 PHPN PLTD	
14	16175	2	BRACKET- L 1in STNLS	
15	11734	1	CHAIN- DOOR STOP	
16	16559	1	CLOSURE ASSY- ADJUSTABLE DOOR	
17	10394	1	DECAL- HCP (ISA) FREEDOM2	
18	13279	1	HANDLE- DOOR	
19	14611	4	HANDLE- RESTROOM LIFT	
20	14528	1	LATCH- FREEDOM2 DOOR	
	15063	1	KIT FREEDOM LATCH REPLACEMENT	
21*	13128	2	NUT- ¼-20 NYLOC	
22*	10161	1	PLUG- ½ INDICATOR BLACK PLST	
23	15588	2	PLUG- 1-1/4 HOLE	
24	14351	44	RIVET- #610 CCP	
25*	11024	1	RIVET- #610 AAP	
26*	11027	2	RIVET- #66 ALUM	
27*	11054	101	RIVET- #68 AAL POP	
28*	11270	38	RIVET- #68 STNLS	
29*	15337	16	RIVET- .195in PLASTIC EXPANDNG	
30	14112	8	SCREEN- 3.8 X 15.25 PLSTC VENT	
31*	10122	2	SCREW- #10 X ¾ PHPN TAP PLTD	
32*	10109	4	BOLT- #10-24 X ¾ PHPN PLTD	
33*	13860	5	SCREW- #14 X 1-1/2 W/WSH GOLD	
34	14527	2	SPACER- FREEDOM2 HINGE	
35	16844	1	SPINDLE- PAPERGUARD II	
	12642	1	SPINDLE- PAPERGRD 2 ROLL WOOD	
	22310	1	SPINDLE- PRGRD II 3 ROLL METAL	
	18696	1	SPINDLE- PAPERGRD 3 ROLL WOOD	
36	15589	1	TUBE- HANDRAIL INSERT	
37*	12382	4	WASHER- ¼ FLAT STNLS	
38*	11361	36	WASHER- 3/16 ID FENDER	
39*	11315	175	WASHER- 3/16 RIVET STNLS	
	14579	1	INSTRUCTIONS- FREEDOM 2 (NOT SHOWN)	

* ONLY SOLD IN MULTIPLES OF 100

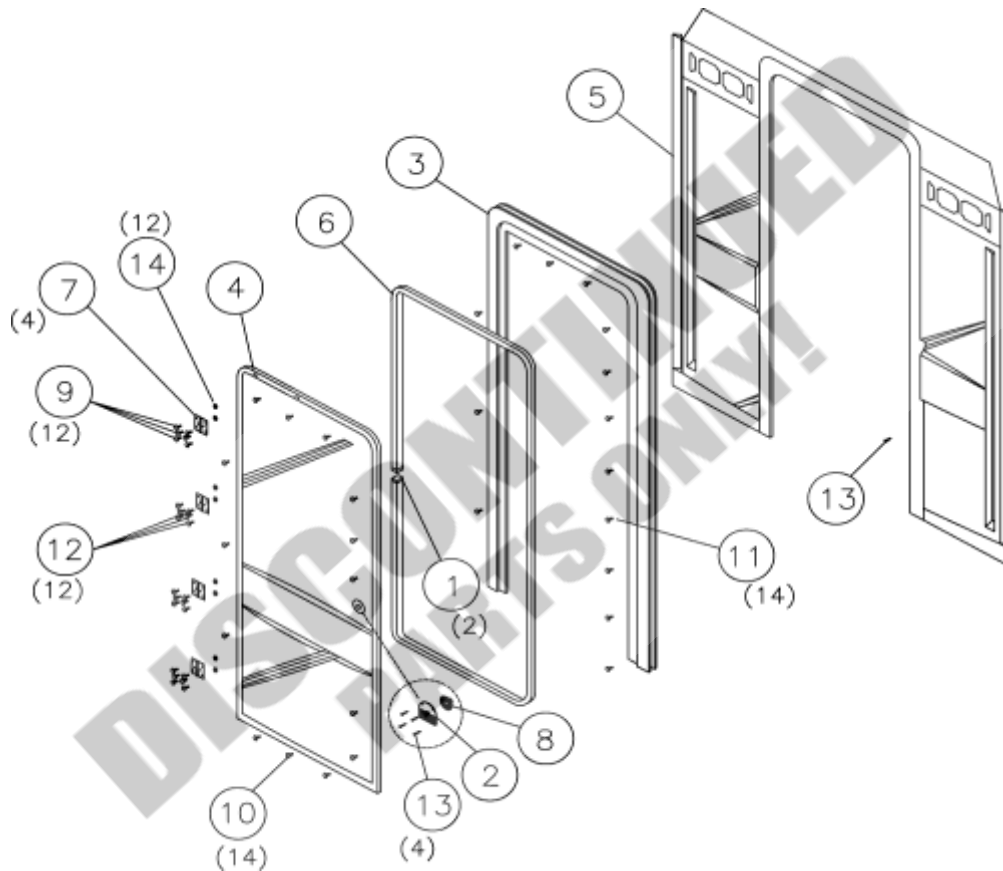
Consult your Area Manager at:

Tel: 1-800-883-1123 (US & Canada) Fax: 1-800-328-3334 (US & Canada) Español: 1-877-452-1187

Website: www.satelliteindustries.com

FREEDOM 2® FRONT ASSEMBLY

Discontinued

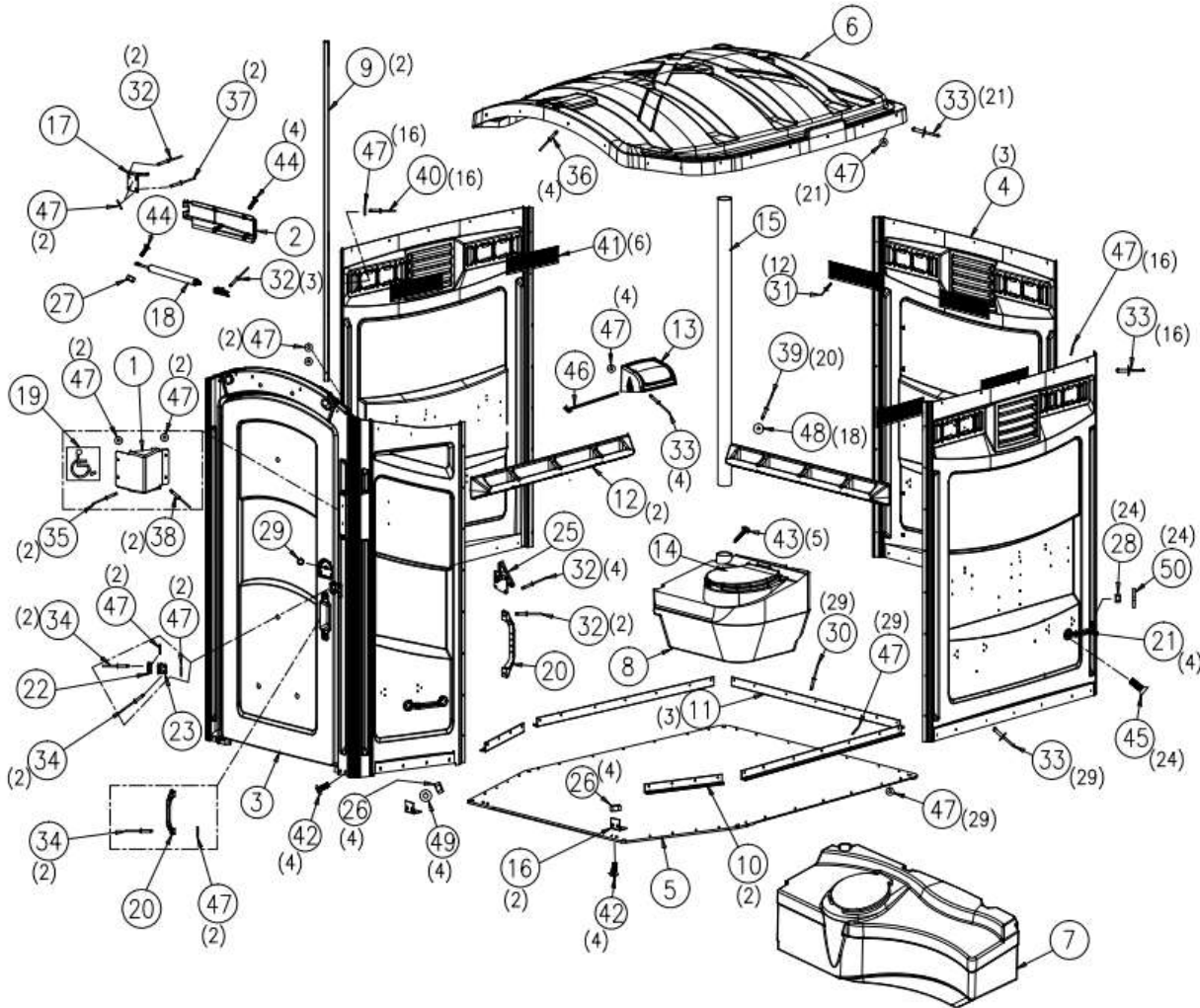


REV H ITEM #	PART#	QTY PER UNIT	DESCRIPTION	PRICE EACH
			FRONT ASSY- FREEDOM 2 & SRO (NO LATCH)	NOT SALEABLE
1	11555	2	PLUG- 3/8 BLACK PLASTIC SQUARE	
2	13415	1	COVER- INDICATOR BLACK	
3		1	DOOR JAMB- FREEDOM2 THICK	NOT SALEABLE
4		1	FREEDOM2 DRILLED DOOR	NOT SALEABLE
5		1	FREEDOM2 DRILLED FACING	NOT SALEABLE
6		1	FRAME- FREEDOM2 DOOR	NOT SALEABLE
7	15708	4	HINGE- DOOR STNLS HEAVY NARROW	
8	15630	1	INDICATOR- UNIVERSAL	
9	14351	12	RIVET- #610 CCP	
10*	11030	14	RIVET- #66 AAL POP	
11*	11024	14	RIVET- #610 AAP	
12*	11270	12	RIVET- #68 STNLS	
13*	10804	5	SCREW- #8 X 3/4 PHPN TAP	
14*	11315	12	WASHER- 3/16 RIVET STNLS	

* ONLY SOLD IN MULTIPLES OF 100

Visa / Mastercard / American Express / Discover
 \$25.00 Minimum Order — Prices and quantities subject to change / all prices are FOB FACTORY — Priced in U.S. Dollars
 20% minimum restocking charge applies on returns

FREEDOM 3® MAJOR ASSEMBLY



FREEDOM 3® COLOR CHART

	TEAL	ROYAL BLUE	SAND	FOREST GREEN	GREY
FRONT PART# (NO LATCH)	21239	21241	21240	21242	21243
PANEL PART#	18033	18034	18035	18032	18219
COVER FREEDOM3 CLOSURE	21313	21309	21311	21312	21310

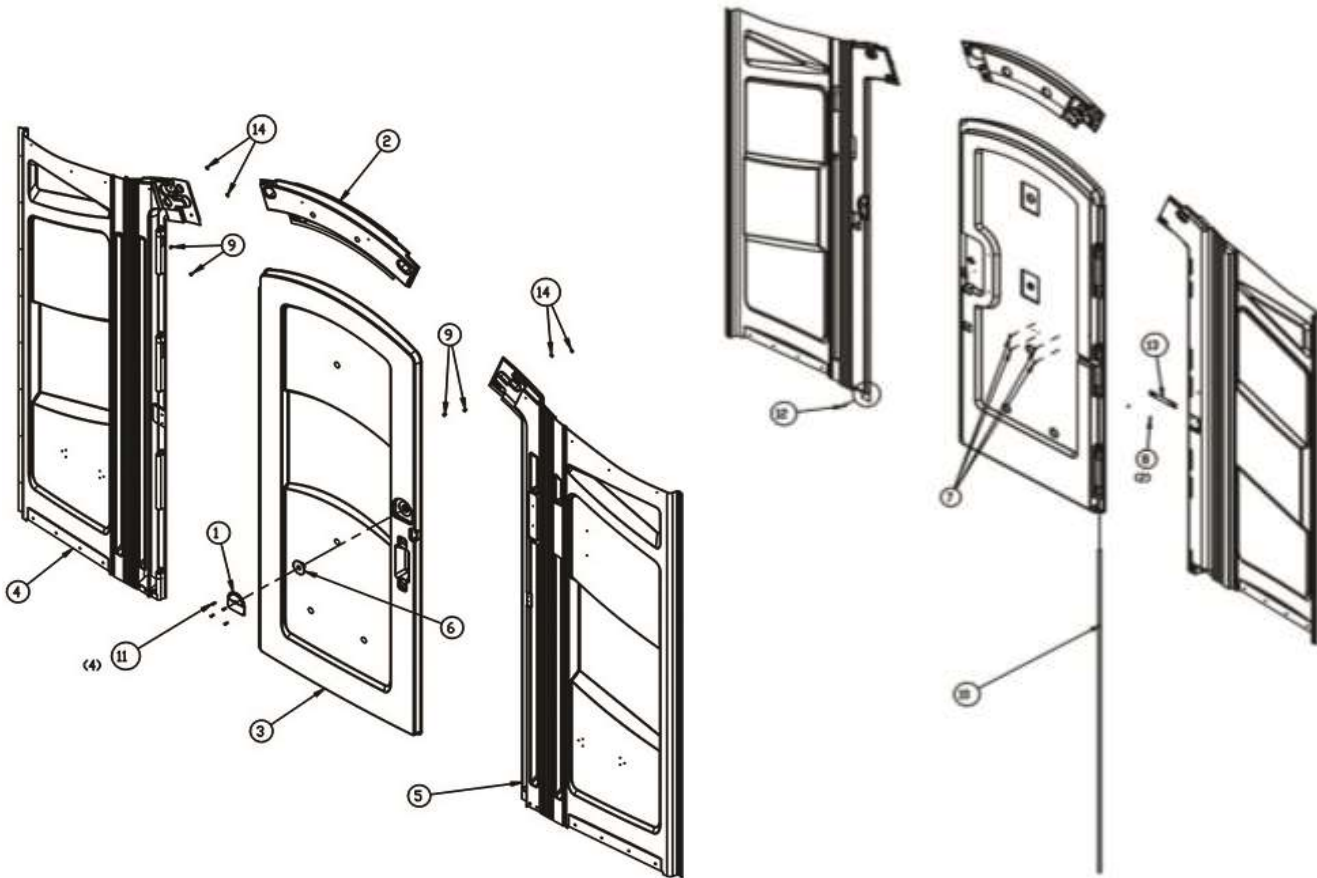
Visa / Mastercard / American Express / Discover
 \$25.00 Minimum Order — Prices and quantities subject to change / all prices are FOB FACTORY — Priced in U.S. Dollars
 20% minimum restocking charge applies on returns

FREEDOM 3® MAJOR ASSEMBLY

REV D ITEM #	PART#	QTY PER UNIT	DESCRIPTION	PRICE EACH
1	21304	1	BRACKET- FREEDOM3 HCP DGRY	
2	SEE CHART	1	FREEDOM3 CLOSER COVER	
3	SEE CHART	1	FRONT ASSEMBLY- FREEDOM 3	
4	SEE CHART	3	PANEL- LIB/FRDM3	
5	21268	1	FLOOR- FREEDOM3 DRILLED	
	21293	1	HDWE/PARTS PKG- FREEDOM3	
6	21269	1	ROOF- FREEDOM3 NATURAL	
7	16538	1	TANK- FRE/LIB LARGE DGRY	
8	14508	1	TANK- FRE/LIB 35-GAL CAPACITY	
9	21328	2	TUBE- FREEDOM3 STIFFENER	
10	21270	2	ANGLE- FREEDOM3 PLSTC	
11	18039	3	ANGLE- PLSTC LIBERTY	
12	21291	2	HANDRAIL- LIB/FRDM3 PLASTIC	
	21290	1	HDWE- FREEDOM3	
13	17082	1	HOOD- PAPERGUARD 2 ROLL DGRY	
14	10570	1	SEAT- TOILET BLACK (INCLUDES HARDWARE – (10 PER CASE)	
	19196	1	KIT- T/SEAT 2-1/2 BOLT/NUT SET	
15	13796	1	VENT PIPE- 3 X 65-1/2 BLACK	
16	21271	2	BRACKET- FREEDOM3 FRONT MNT	
17	21382	1	BRACKET- FREEDOM3 CLOSURE	
18	18802	1	CLOSURE- WORLD CARE DOOR	
19	10394	1	DECAL- HCP (ISA) FREEDOM2	
20	16807	2	HANDLE- PLASTIC HOVER	
21	14611	4	HANDLE- RESTROOM LIFT	
22	13197	1	HASP- 3/16 RIVET HOLE DOOR	
23	22056	1	HASP, EXSTENED	
24	21337	1	INSTRUCTION- FREEDOM3	
25	14767	1	LATCH- RESTROOM PLASTIC	
26*	13131	8	NUT- 5/16 NYLOC	
27*	14777	1	NUT- #10-24 NYLOC	
28	13128	24	NUT-1/4-20 NYLOC	
29*	10161	1	PLUG- 1/2 INDICATOR BLACK PLST	
30*	14351	29	RIVET- #610 CCP	
31*	15337	12	RIVET- .195in PLASTIC EXPANDNG	
32*	17436	11	RIVET- AVDEL SILVER	
33*	11054	70	RIVET- #68 AAL POP	
34*	11270	6	RIVET- #68 STNLS	
35*	10812	2	RIVET- #612 ALUM	
36*	14427	4	RIVET- #66 LSH W/LOCK MANDREL	
37*	15975	2	RIVET- #66 STNLS	
38*	11027	2	RIVET- #66 ALUM	
39	18755	20	RIVET- AVDEL SILVER LONG	
40	18543	16	RIVET- 3/16 T PEEL	
41*	14112	6	SCREEN- 3.8 X 15.25 PLSTC VENT	
42*	16808	8	SCREW- 5/16-18 X 7/8 TORX	
43	13860	5	SCREW- #14 X 1-1/2 W/WSH GOLD	
44	18813	5	SCREW- #10-24 X3/4 TRUSS STNLS	
45	14752	24	SCREW- 1/4-20 x 3/4 FLAT PH HD	
46	16844	1	SPINDLE- PAPERGRD 2 ROLL METAL	
47	11315	129	WASHER- 3/16 RIVET STNLS	
48	11361	18	WASHER- 3/16 ID FENDER	
49	11368	4	WASHER- 5/16 FLAT STNLS	
50	11360	24	WASHER- 1/4 ID FENDER STNLS	

* ONLY SOLD IN MULTIPLES OF 100

FREEDOM3™ FRONT ASSEMBLY



REV D ITEM #	PART#	QTY PER UNIT	DESCRIPTION	PRICE EACH
1	13415	1	COVER- INDICATOR BLACK	
2		1	FREEDOM3 TOP FACING	NOT SALEABLE
3		1	FREEDOM3 DOOR	NOT SALEABLE
4		1	FREEDOM3 LEFT FACING	NOT SALEABLE
5		1	FREEDOM3 RIGHT FACING	NOT SALEABLE
6	15630	1	INDICATOR- UNIVERSAL DGRY	
7	14791	4	INSERT- #10-24 JACK NUT	
8*	17436	2	RIVET- AVDEL SILVER	
9*	11054	4	RIVET- #68 AAL POP	
10	21299	1	ROD- FREEDOM3 DOOR 77.5in	
11*	10804	4	SCREW- #8 X 3/4 PHPN TAP	
12*	10122	1	SCREW- #10 X 3/4 PHPN TAP PLTD	
13	21292	1	STOP- FREEDOM3 FABRIC	
14*	11315	4	WASHER- 3/16 RIVET STNLS	
	21415	1	KIT- FREEDOM3 FRONT REPLACMENT	

* ONLY SOLD IN MULTIPLES OF 100

Visa / Mastercard / American Express / Discover
 \$25.00 Minimum Order — Prices and quantities subject to change / all prices are FOB FACTORY — Priced in U.S. Dollars
 20% minimum restocking charge applies on returns